

VistaKey-SK

ADEMCO's VistaKey-SK Single Door Access Control Starter Kit is incredibly easy to install and configure. The kit contains one proximity reader with a Weigand style proximity card interface. Designed to provide low-cost access control expansion for the popular VISTA-32FB, 128B, 128BP, 128FB, 128FBP**, 250BP* or 250FBP** Integration-Ready Control Panels, the state-of-the-art module maximizes security investments by integrating access control, intrusion detection and fire detection into one system. Installation costs are reduced by eliminating the need to install additional wiring, panels and software.

VistaKey-SK communicates with the control panel on a standard two-wire **V-PLEX** polling loop. Access validation time is minimized through ADEMCO's patented Global Polling feature and special V-Plex protocol. Installation time is reduced through automatic enrollment and quick-start test functions. All programming can be accomplished locally by a keypad or remotely using ADEMCO's Compass Downloader software. Specific system events can be reported to the central station via ADEMCO's Contact ID.

FEATURES:

Key Features

- Supports 250 to 500 card holders and eight access groups
- Supports up to two door readers per kit
- A maximum of four to 15 doors*
- Wires on standard V-Plex polling loop
- Three input zones, supervised or unsupervised, can be used for door status monitoring

Dealer Benefits

- Reduce installation material and labor costs by eliminating the need to install additional control panels, software and wiring for access control
- Reduce the time required for installation through automatic module enrollment and quick-start testing
- Simplifies installation and service through tightly coupled integration, which eliminates the need to program multiple databases
- One downloader programs security, fire, CCTV, and access control

- Request-to-exit monitoring and cabinet monitoring (tamper)
- One open collector output trigger (sink 12mA @ 12VDC)
- 512 to 1,000* access control events recorded in VISTA event log
- Programmable locally from keypad or remotely from Compass Downloader
- UL listings: UL294, UL, CUL

End-User Benefits

- Maximizes security investments by integrating access control, intrusion detection, early warning fire detection, and industrial process control into a single system
- Helps reduce false alarms by simplifying operation through the use of a card swipe or wireless keyfob
- Reduces operational costs by eliminating the need to re-key (due to employee turnover)
- Improves security by controlling access to specified areas in the protected premises
- Streamlines security operations by monitoring and recording user activity at a single location



Access Control Starter Kit

Compatible Controls

VistaKey can be used on any commercial VISTA control platform that supports V-Plex and ADEMCO's patented Global Polling feature:

- VISTA-32FB
- VISTA-128B
- VISTA-128BP
- VISTA-128FB
- VISTA-128FBP**
- VISTA-250BP
- VISTA-250FBP**

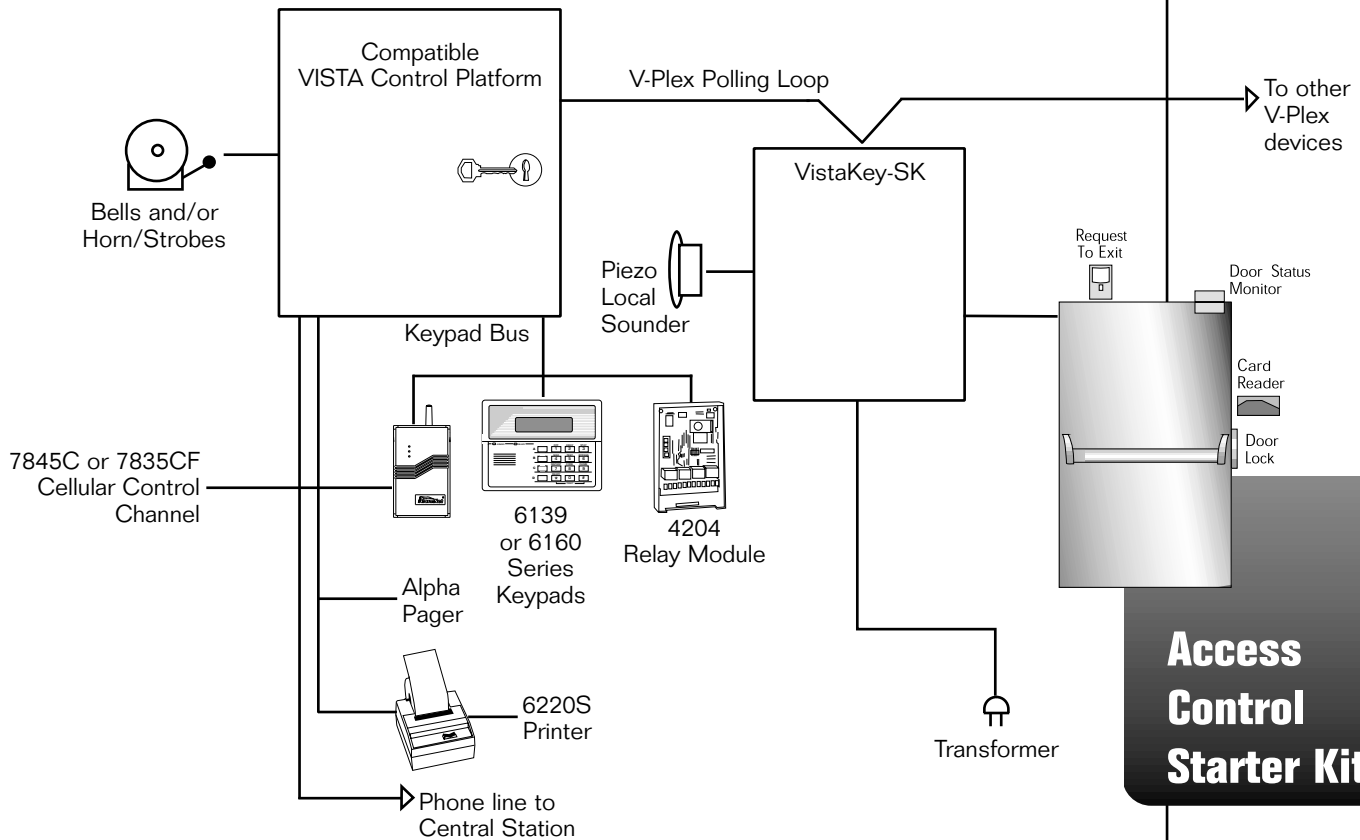
*Panel dependent

**4th Quarter 2002

ADEMCO
GROUP

VistaKey-SK

INTEGRATED VISTA SECURITY SYSTEM:



PERIPHERAL DEVICES:

The following listing identifies some peripheral devices that can be used with VistaKey-SK.

Devices	Description
Card Readers	ADEMCO OP30-FWM Proximity Card Reader
Access Cards	ADEMCO K3399 (set of 25) Encoded Proxcards with 34 bit format
Power Supply	ADEMCO power supply part# SA12040, 12VDC, +/- 15% at a maximum of 1.5 amps
Door Strike or Lock	Any commercially available electric strike or magnetic lock with a working voltage of 12VDC and a maximum current of 1.5 amps

Control	VistaKey-SK capacity
VISTA-32FB	4
VISTA-128B, 128BP	8
VISTA-128FB, 128FBP*	8
VISTA-250BP	15
VISTA-250FBP*	15

**4th Quarter 2002

ORDERING:

Part No.	Description
VistaKey	V-Plex Single-Door Access Control Module with Plastic Enclosure
VistaKey-SK	Starter Kit: includes 1-VistaKey, 1-Cabinet (UL listed), 1-Transformer, 1-OP30-FWM Proximity Card Reader, 1-K3399 Proxcards (25), 1-SA12040 Power Supply Board, 1-VistaKey Two-Card Mounting Plate
VistaKey-EXPK	Expansion Kit: includes 1-VistaKey Module and 1-OP30-FWM Proximity Reader

L/VSTAKYSK/D rev 6/02

**Access
Control
Starter Kit**

165 Eileen Way, Syosset, NY 11791
Copyright ©2002 Pittway Corporation
ADEMCO is an ISO9001 Registered Company

**ADEMCO
GROUP**